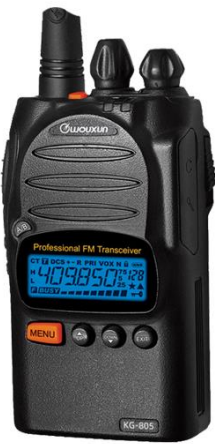


Wouxun

Two Way Radio KG-805 Series Owner's Manual

GMRS Radio



KG-805G

Thank you for buying the KG-805 transceiver. This radio offers a professional design, enhanced features, solid performance and easy accessibility. We think you will be pleased with its high quality and reliability for your short range radio communications. FCCID: WVTWOUXUN16

Important Information

Caution: Please read this manual before using, as it includes important instructions for the safe handling, use and operation of your radio.

Compliance: This device complies with Part 15 of the FCC Rules. Operation is subject to the following two conditions:
(1) This device may not cause harmful interference, and
(2) This device must accept any interference received, including interference that may cause undesired operation.
WARNING: MODIFICATION OF THIS DEVICE TO RECEIVE CELLULAR RADIOTELEPHONE SERVICE SIGNALS IS PROHIBITED UNDER FCC RULES AND FEDERAL LAW.

Radio Operation and EME Exposure: Use only an antenna designed for use with this radio and its operating frequencies. Unauthorized modifications or attachments may damage the radio and violate FCC rules. DO NOT hold the antenna while the radio is in use. DO NOT attempt to use the radio with a damaged antenna.

Safety and General Use:
DO NOT use external power connections or batteries not specifically designed for or approved for use with this radio.

DO NOT use the radio in potentially hazardous areas or where there are potentially explosive atmospheres (gas, dust, etc.).

DO NOT operate your radio while your vehicle is being refueled or parked at a gas station.

FCC Licensing Information

The KG-805G operates on General Mobile Radio Service (GMRS) frequencies according to the Federal Communications Commission (FCC) Rules in the United States. As such, a GMRS license is required to transmit on these frequencies. To obtain an FCC license for the GMRS, please go to the FCC's web site at <https://www.fcc.gov/wireless/support/fcc-form-605> and request FCC Form 605.

Unpacking and Checking Your Equipment

Carefully unpack the radio. We recommend that you identify the following items before discarding the packing material. If any items are missing or have been damaged during shipment, please notify your dealer immediately.

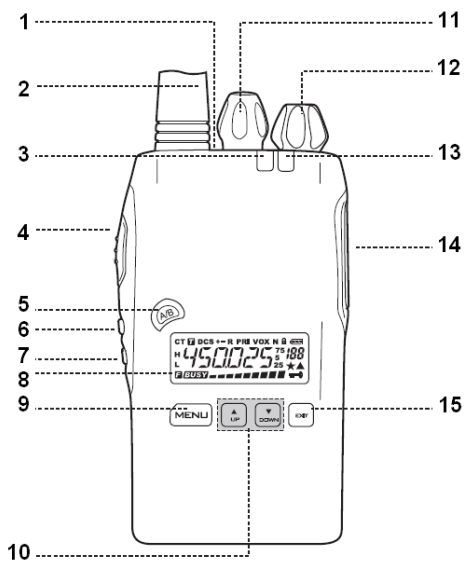
- Included Accessories:**
- 1 - KG-805G Radio
 - 1 - High Gain Antenna
 - 1 - Li-ion Battery Pack
 - 1 - Desktop Charger
 - 1 - Belt Clip
 - 1 - Hand Strap
 - 1 - Owner's Manual

Description of Features

1. 22 GMRS Channels
2. 8 GMRS Repeater Channels
3. Output Power: Up to 4W
4. VOX
5. Calling Ring Function
6. 155 CTCSS/DCS Privacy Codes
7. Voice Prompts
8. Three Color Backlight Display
9. Multi-Display Modes
10. Alarm Function
11. Multiple Scanning Modes
12. Priority Scan Function
13. FM Radio w/ Frequency Display
14. High Capacity Li-ion Battery Pack
15. Intelligent Charger
16. Busy Channel Lockout
17. Multiple Display Modes at Power On
18. Low Voltage Prompt

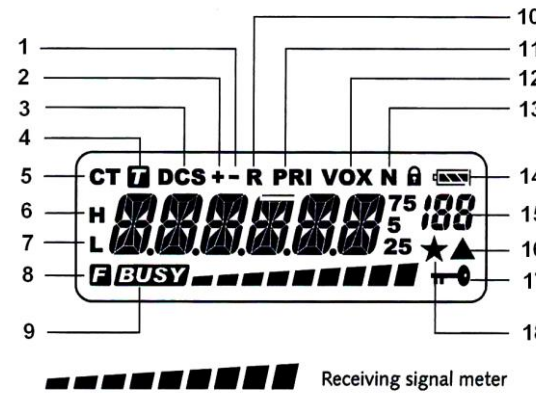
19. Transmit Overtime Prompt
20. Key Lock
21. Channel Scan
22. Power Save
23. PC Programmable
24. IP55 Waterproof

Radio Controls



1. Alarm/PF2
2. Antenna
3. Transmit LED
4. PTT Button
5. A/B Button
6. PF1
7. Monitor Button
8. LCD Display
9. Menu Button
10. Up/Down Buttons
11. Channel Knob
12. Power/Volume Knob
13. Receive LED
14. Audio/Accessory Port
15. Exit Button

LCD Display



1. Split (N/A)
2. Split (N/A)
3. DCS
4. DTMF (N/A)
5. CTCSS
6. High Power
7. Low Power
8. Menu Setting Mode

9. BCL
10. Reverse Frequency (N/A)
11. Priority Scan
12. VOX Transmit
13. Bandwidth Indicator
14. Battery Status
15. Menu / Channel Number
16. With Memory Channel
17. Key Lock
18. FM Radio Activated

Getting Started

Waterproof
The KG-805 is waterproof to IP55 standards. It is dust resistant and rated to withstand water projected by a nozzle (6.3 mm) against enclosure from any direction for a limited period. This radio is resistant to dust and water only while the battery is properly installed and locked in place with no gaps and the accessory port is completely sealed with the accessory port cover. Use of a headset or other accessory will negate the dust and waterproofing features of this radio. The KG-805 is NOT submersible. Do not attempt to operate this radio if it has been submerged.

The radio charger is NOT dust or waterproof. Charge the radio only under dry conditions. DO NOT charge the radio when it is wet. DO NOT expose the radio and charger to wet environments when charging.

Installing the battery
To install the Lithium-ion battery pack:
1. Be sure the radio is off.
2. Slide the battery pack down the back off the radio until the three tabs on the bottom of the battery slide into the slots at the bottom of the radio.
3. Push forward on the battery until it is securely locked in place on both sides.

Removing the battery
To remove the battery pack:
1. With your thumb and forefinger, slide down the latches on each side of the battery near the top of the battery pack simultaneously
2. While holding down the latches, pull the battery pack away from the radio.

Installing the antenna
The KG-805 includes an antenna with an SMA female connector that is tuned for the GMRS frequency range of your radio. After market antennas may be used, provided they are tuned for the GMRS.
Warning: To avoid injury, DO NOT attempt to operate your radio if the antenna is damaged or defective.

DO NOT attempt to operate your radio without an antenna connected to the radio. Transmitting without an antenna or a correctly tuned antenna directly and properly connected

to the radio may damage the radio and void the warranty.

Belt Clip
The belt clip attaches to the back of the battery pack on the radio.

To install the belt clip, simply slide it down onto the back of the battery until it snaps in place.

To remove the battery, depress the lock release on the back of the belt clip, and while holding it down, slide the belt clip up and away from the battery.

Turning the Radio On and Off
Turn the radio on, turn the power/volume knob clockwise until it clicks and the radio powers on. To turn the radio off, turn the power/volume knob counter-clockwise until it clicks and stops.

Adjusting the Volume
Turn the power/volume knob to adjust the volume to the desired level.

Changing Channels
To change the channel, turn the channel knob or press the UP/DOWN buttons to go to the desired channel.

Basic Operation

Transmitting and Receiving
Note: to effectively communicate between your stations or members of your group, all the connecting radios must be using the same channel and privacy (CTCSS or DCS) code.
1. To transmit, press and hold down the PTT button on the side of the radio.
2. When transmission is finished, release the PTT button to receive.

For best performance and clarity of transmission, hold the radio upright with the front of the radio facing you, hold it several inches from your mouth and speak directly into the microphone during transmission.

Scanning Channels
To activate Channel Scan, press and hold the A/B button for two seconds until you hear "Scan Begin". To stop the scan, press and hold the A/B button for two seconds until you hear "Scan Stop" and the channel number on which it stopped.

Backlight
Press the A/B button to turn the LCD and key backlight on and off.

Menu Options

Setting Squelch Level (SQL-LE) – MENU 1
The squelch level function allows you to set the threshold of the signal strength received. The

lower squelch settings allow a weaker signal to be heard, a higher setting blocks out noise and allows only stronger signals to be heard.

The squelch levels are adjustable from 0-9. Setting it to 0 turns off squelch, while 9 is full squelch. The default squelch level setting is 5.

Power Save (SAVE) – MENU 2
To reduce battery consumption, the SAVE function cuts off power to the receiver momentarily, then re-activates it to detect signals. If a signal is detected, the radio will be activated immediately and exit from SAVE mode.

To activate the SAVE function, Press MENU and the UP/DOWN buttons to navigate to SAVE (3) and press MENU to access the function. Then press UP/DOWN to choose ON, and press MENU to confirm. Press the EXIT button to exit the menu.

Roger Beep (ROGER) – MENU 3
The KG-805 allows you to set a tone prompt at the start of your transmission, at the end of transmission, or both. The menu choices are Beginning of Transmission (BOT), End of Transmission (EOT), Both (BOTH) or None (OFF).

With the radio in Standby, Press MENU and the UP/DOWN buttons and navigate to ROGER (menu item 3). Press MENU, then press the UP/DOWN buttons to choose Beginning of Transmission (BOT), End of Transmission (EOT), Both (BOTH) or None (OFF). Press MENU to confirm, then press EXIT to return to standby mode.

Timeout Timer (TOT) – MENU 4
To reduce battery consumption and protect the radio from over transmission, the Timeout Timer ends the transmission when the transmission has exceeded a predetermined time limit, after which the transmission is interrupted. The timer can be set in 40 levels between 15 and 600 seconds, in 15 second increments.

In standby, Press MENU and the UP/DOWN buttons and navigate to TOT (menu item 4). Press MENU to enter, and press the UP/DOWN buttons to select the desired transmission level from 15 to 6000. Press MENU to confirm your choice, then press EXIT to return to standby mode.

VOX Function (VOX) – MENU 5
Voice Operated Transmit (VOX) automatically activates transmission when the radio detects a voice or other noise. It allows for hands-free operation when transmitting without physically pushing the Push-To-Talk (PTT) switch to do so. The KG-805 has 10 levels of sensitivity to detect sound, from 1 (most sensitive) to 10 (least sensitive). The higher the level, the more sound is needed to activate VOX.

