



MIDLAND®

X-TRA TALK

GXT800/808/850 Series

**GMRS/FRS Radio
OWNER'S MANUAL**



www.midlandradio.com

TABLE OF CONTENTS	3
Introduction	4
Important Notice, FCC Licensing	5
LCD Display	6
Controls	6
Battery Installation	7
Installing the Belt Clip	7
Charging the Optional Battery Pack	8
Low Battery Level Indicator	8
Operating Your Radio	9 - 18
External Speaker/Microphone Jack	18
Troubleshooting Guide	19
Use and Care	19
Specifications and Frequency Charts	20 - 21
Warranty Information	22
MIDLAND Family Products	23
Accessories	23 - 25
Accessories Order Form	27

Welcome to the world of Midland electronics

Congratulations on your purchase of a high quality MIDLAND product. Your 2-way radio represents the state-of-the-art in high-tech engineering. Designed for GMRS (General Mobile Radio Service) operation, this compact package is big in performance. It is a quality piece of electronic equipment, skillfully constructed with the finest components. The circuitry is all solid-state and mounted on a rugged printed circuit board. Your two-way radio is designed for reliable and trouble-free performance for years to come.

Features

- 22 GMRS/FRS Channel
- 142 Privacy Codes (38 CTCSS / 104 DCS)
- Water Resistant (IP4 Standard)
- Direct Call
- VOX
- Selectable Call Alert (additional Animal Sound on GXT850)
- NOAA Weather Radio
- NOAA Weather Alert
- VIBRATE ALERT
- Scan Function
- Monitor Function
- Roger Beep Tone
- Silent Operation
- Keypad Lock
- Power HI/MED/LO Settings
- Speaker / Microphone Jacks
- Battery Meter / Battery Low Indicator

This device complies with Part 15 of the FCC Rules. Operation is subject to the following two conditions : (1) this device does not cause harmful interference, and (2) this radio must accept any interference that may cause undesired operation.

To maintain compliance with FCC's RF exposure guidelines, for body-worn operation, this radio has been tested and meets the FCC RF exposure guidelines when used with Midland Radio Corp. accessories supplied or designated for this product. Use of other accessories may not ensure compliance with FCC RF exposure guidelines. (Tested with Headset Model: AVP-1)

IMPORTANT NOTICE, FCC LICENSE REQUIRED FOR GMRS OPERATION

The GXT800/808/850 Series operates on GMRS (General Mobile Radio Service) frequencies which require an FCC (Federal Communications Commission) license. You must be licensed prior to operating on channels 1 - 7 or 15 - 22, which comprise the GMRS channels of the GXT800/808/850 Series. Serious penalties could result for unlicensed use of GMRS channels, in violation of FCC rules, as stipulated in the Communications Act's Sections 501 and 502 (amended).

You will be issued a call sign by the FCC which should be used for station identification when operating the radio on GMRS channels. You should also cooperate by engaging in permissible transmissions only, avoiding channel interference with other GMRS users, and being prudent with the length of their transmission time.

To obtain a license or ask questions about the license application, contact the FCC at 1-888-CALL FCC or go to the FCC's website:

<http://www.fcc.gov> and request form **605**.

Exposure To Radio Frequency Energy

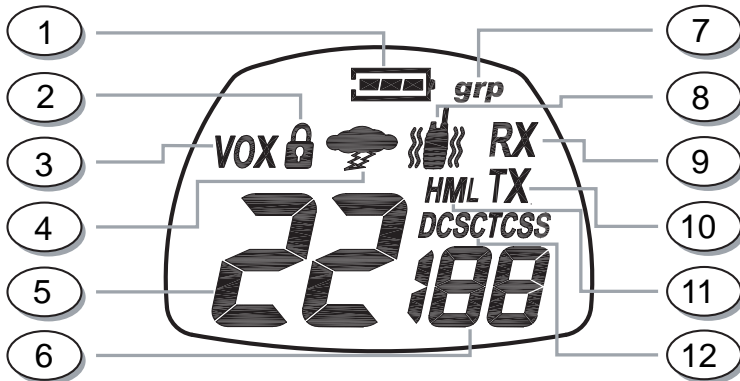
Your Midland radio is designed to comply with the following national and international standards and guidelines regarding exposure of human being to radio frequency electromagnetic energy:

- United States Federal Communications Commission, Code of Federal Regulations: 47 CFR part 2 sub-part J
- American National Standards Institute (ANSI)/Institute of Electrical & Electronic Engineers (IEEE) C95. 1-1992
- Institute of Electrical and Electronic Engineer (IEEE) C95. 1-1999 Edition
- National Council on Radiation Protection and Measurements (NCRP) of the United States, Report 86, 1986
- International Commission on Non-Ionizing Radiation Protection (ICNIRP) 1998

To control your exposure and ensure compliance with the general population or uncontrolled environment exposure limits, transmit no more than 50% of the time. The radio generates measurable RF energy exposure only when transmitting.

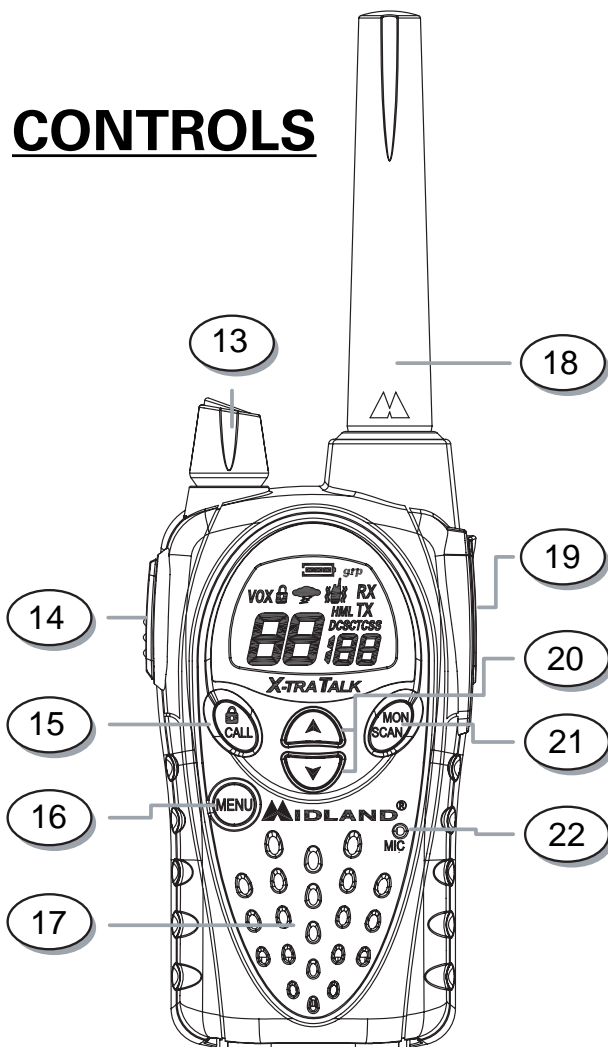
IMPORTANT: Changes or modifications to this unit not expressly approved by **MIDLAND RADIO CORP.** could void your right to operate this unit. Your radio is set up to transmit a regulated signal on an assigned frequency. It is against the law to alter or adjust the settings inside the COMMUNICATOR to exceed those limitations. Any adjustment to your radio must be made by qualified technicians.

LCD DISPLAY



1. **BATTERY METER** – Indicates the battery level.
2. **KEY LOCK ICON** – Indicates KEY LOCK mode is on.
3. **VOX ICON** – Indicates when VOX mode is active.
4. **NOAA WEATHER (WX) BAND ICON** – Indicates when the radio is in Weather Band mode.
5. **CHANNEL NUMBER** – Changes from 1~22 on GMRS/FRS band (1~10 on WX band).
6. **PRIVACY CODE** – Indicates Privacy Code selected by user (oF~38/oF~104).
7. **GROUP MODE ICON** – Indicates when the Group Mode is on.
8. **VIBRATE-ALERT ICON** – Indicates when the Vibrate-Alert feature is on.
9. **RECEIVE (RX) ICON** – Indicates radio is receiving a transmission.
10. **TRANSMIT (TX) ICON** – Indicates radio is transmitting a signal.
11. **TRANSMIT POWER LEVEL ICON** – Indicates TX Power setting (H/M/L)
12. **PRIVACY CODE ICON** – Indicates Privacy Code setting (CTCSS/DCS).

CONTROLS



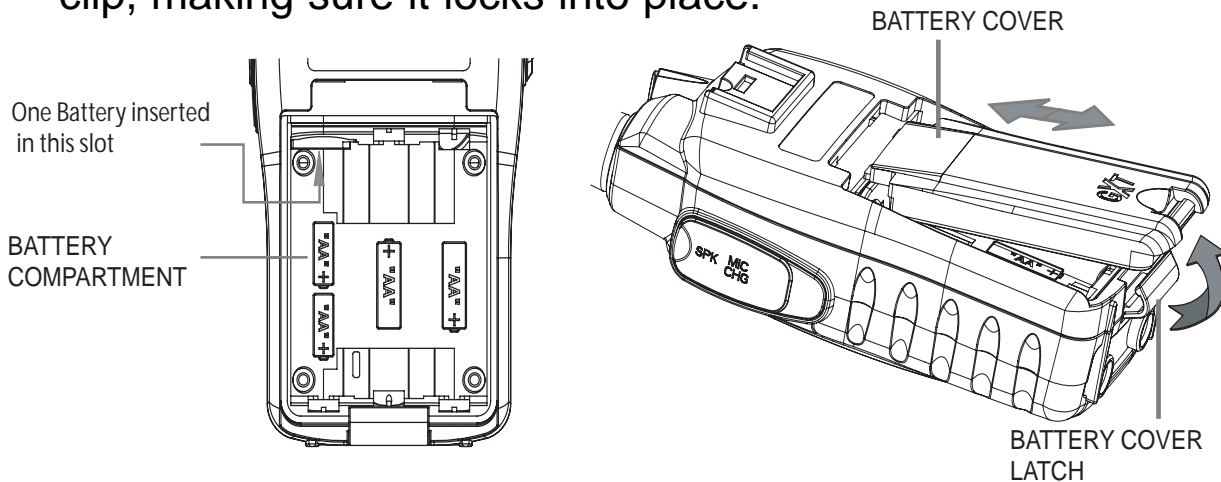
13. **POWER/VOLUME KNOB** – Turn clockwise to turn the power on and increase the volume level. Turn counter-clockwise to decrease the volume level and turn the power off.
14. **PTT Button** – Press and hold to transmit voice communication.
15. **CALL/LOCK Button** – Press to send a CALL Alert signal. Press and hold to turn KEY LOCK on/off.
16. **MENU Button** – Press to access Menu mode. Press and hold to go to WX Band Receiver mode.
17. **SPEAKER** – Built-in speaker.
18. **ANTENNA.**
19. **EXTERNAL SPEAKER/MIC JACK.**
20. **UP ▲ and DOWN ▼ Button** – Make adjustments in MENU mode.
21. **MONITOR/SCAN Button** – Press to enter SCAN mode. Press and hold to enter MONITOR mode
22. **MIC** – Built-in microphone.

BATTERY INSTALLATION

Your GXT800/808/850 Series radio operates with either 4 AA alkaline batteries or an optional NiMH battery pack. The belt clip should be removed (see below) to ease installation or removal of the batteries.

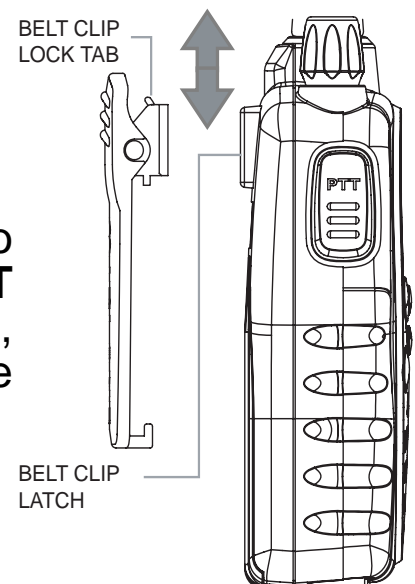
To install the batteries:

1. With the back of the radio facing you, remove the belt clip (see diagram below) for easy access, then remove the Battery Cover by pulling down the Battery Cover Latch and lifting up the Battery Cover from the radio.
2. Insert 4 AA batteries observing the polarity as shown. Installing the batteries incorrectly will prevent the radio from operating or may damage the radio.
3. Return the Battery Cover by sliding it up on the radio and push up the Battery Cover Latch until it locks into place. Replace the belt clip, making sure it locks into place.



INSTALLING THE BELT CLIP

To install the **BELT CLIP**, slide the clip down into the slot on the back of the radio until the **BELT CLIP LATCH** clicks. To remove the **BELT CLIP**, press the **LOCK TAB** down, then gently pull the belt clip up toward the top of the radio.



CHARGING THE OPTIONAL BATTERY PACK

Your GXT800/808/850 Series is equipped for using an optional rechargeable NiMH battery pack (included) which can be recharged using a desktop charger (included). Initial charge time is 24 hours with a charge time of 12 hours thereafter. For maximum battery life, we recommend charging the battery pack when the low battery icon comes on. Remove the radios from the charger when the charge time expires.

To charge using a Desktop Charger:

1. Place the rechargeable battery packs in the radios.
2. Connect the AC adapter into an AC wall outlet.
3. Insert the AC adapter plug (or DC Cigarette Lighter adapter if charging in vehicle) into the desktop charger jack.
4. Place the units into the desktop charger slot and note that the LED indicator with **RED** color will light up, indicating charging function.



In order to ensure that the battery pack is fully charged, it is recommended that the battery pack be charged for at least 12 hours with the radio turned OFF.



1. Only use our NiMH battery pack.
2. Do not attempt to charge alkaline batteries or any batteries or battery packs other than the one indicated in the manual. This may cause leakage and damage to the radio.
3. For long term storage of the radio, turn the radio OFF and remove the batteries from the radio.

BATTERY LEVEL INDICATOR

Your GXT800/808/850 Series has a **BATTERY LEVEL METER**

 that shows the battery power level. The greater the number of bars visible, the stronger the battery level. When the battery level is low, the **Battery Shell**  icon and “**Lo bt**” will flash in the display indicating your batteries should be replaced or recharged if using a rechargeable battery pack.

OPERATING YOUR RADIO

POWER ON/OFF AND VOLUME

Rotate the **POWER/VOLUME** knob clockwise to turn the radio on and increase the volume level. Rotate the control counter-clockwise to reduce the volume level and to turn the radio off. During Power On, the radio will beep 2 times with different tones, the LCD will display all icons for 1 second and the LCD display will indicate the last channel selected.

TRANSMITTING AND RECEIVING A CALL

To communicate, all radios in your group must be set to the same channel and Privacy Code.

1. For maximum clarity, hold the radio 2 to 3 inches from your mouth.
2. Press and hold the **PTT** button and speak in a normal voice into the **microphone**. The **TX** icon will appear continuously on the LCD Display while transmitting.
3. To receive a call, release the **PTT** button. The **RX** icon will appear on the display when your radio is receiving a transmission.

ABOUT RANGE

Your GXT Series radios are designed to give you maximum range under optimum conditions.

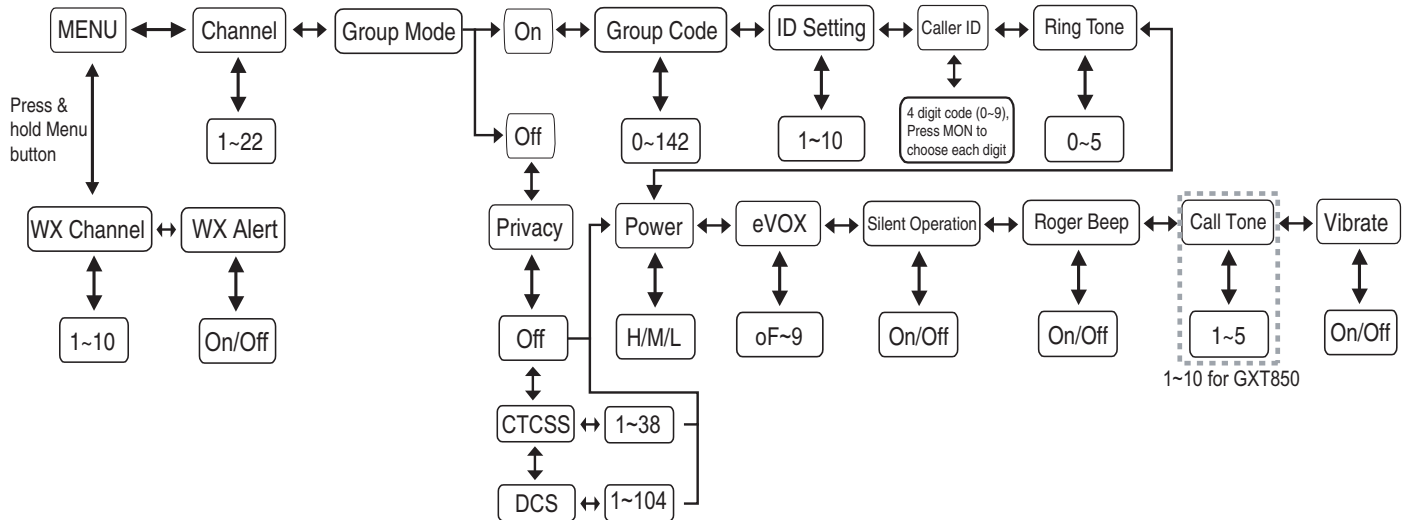
Optimum Conditions are:

- Over water
- Open rural areas without obstructions
- Flat areas where you can see the other person

To ensure you get maximum range:

- Be sure to use fresh or fully charged batteries - low batteries will cause low power conditions
- Be sure you are on a GMRS channel - FRS channels are restricted by the FCC to low power
- Be sure to set your radio to use Hi power.

GXT800/808/850 SERIES QUICK REFERENCE CHART



MONITOR

Pressing and holding the **MONITOR** button for 1 second will let you hear noise so you can adjust the volume level of the radio when not receiving a signal. This should be used to check activity on your current channel before transmitting.

Press and hold the **MONITOR** button for 1 second again to get out of **MONITOR** mode.

SCAN

Your GXT800/808/850 Series can scan all 22 channels for activity. To enter, quickly press the **SCAN** button. Repeat the same procedure to exit. Your radio will rapidly scan each of the 22 channels and stop on any active channel. Your radio will resume scanning after 4 seconds when the channel is no longer active.

When you press the **PTT** button to transmit on an active channel, the scanning function will stop and remain on the active channel for 10 seconds before resuming scan when **PTT** button is no longer pressed.

To resume scanning, quickly press the ▼/▲ button.

CALL ALERT

Your GXT800/808/850 Series can transmit a call alert for a fixed length of time. To send a call alert, press the **CALL** button. The **TX** icon will appear while transmitting a call alert and a tone can be heard on the speaker for confirmation.

The GXT800/808 has 5 call alert selections while the GXT850 has 10 call alerts including 5 **“animal sound”** call alerts - Turkey, Duck, Crow, Cougar, Wolf.

KEYPAD LOCK

To avoid accidentally changing the radio setting, press the **LOCK** button for 2 seconds. The **KEY LOCK** icon will appear on the display. **PTT** and **CALL** will still be active. Repeat the same procedure to unlock the keypad.

DISPLAY ILLUMINATION

During Power on, the display illumination will activate for approx. 5 seconds. The display illumination can also be activated when the **MENU**, **MON/SCAN**, and ▼/▲ button is pressed.

CHANNEL SELECTION (GMRS/FRS BAND)

Press the **MENU** button once, and then the ▼/▲ buttons to select one of the 22 GMRS/FRS channels. To confirm the selection, press the **PTT** button or press the **MENU** button again to move to the next feature setting.

USING THE RADIO IN GROUP MODE

Your GXT800/808/850 Series has **GROUP MODE** function which lets you make “*direct calls*” to other people within the group without alerting the entire group.

In order to use the **GROUP MODE** function you need to set the following in your radio:

- Set the radio to Group Mode
- Set a Group Code
- Set the ID
- Set the Caller ID
- Set the Ring Tone



Note : To communicate between two GXT800/808/850 Series radios in Group Mode, the radios in your group must be set to the same channel and Group Code selections.

SETTING THE RADIO TO GROUP MODE

To turn the **GROUP MODE** on, press the **MENU** button until the display shows “**Gr**” blinking, while an “**oF**” appears on the right of the display. Select “**on**” by pressing the ▼/▲ buttons and press the **PTT** button to confirm or press **MENU** button again to move to the next feature setting.

When the radio is in **GROUP MODE** the **Group Mode** icon will appear on the display.

SETTING GROUP CODES

Your GXT800/808/850 Series has 142 **Group Codes** available. To select a **Group Code** press the **MENU** button while in Group Mode until the Privacy Code blinks, and then the ▼/▲ buttons to select one of the 142 Group Codes. The **Privacy Code** icon on the display will indicate your Group Code setting. To confirm the selection, press the **PTT** button or press **MENU** button again to move to the next feature setting.

SETTING THE ID NUMBER

Your GXT800/808/850 Series has 10 **ID Number** available. The selected **ID Number** may be different for each **Group Code**. To select an **ID Number** for the current **Group Code** press the **MENU** until the display shows “**Id**”, while the current **ID number** setting appears blinking on the right of the display. Press the ▼/▲ buttons to select one of the 10 **ID Numbers**. To confirm the selection, press the **PTT** button or press **MENU** button again to move to the next feature setting.

SETTING THE CALLER ID NUMBER

You can select your individual 4-digit **Caller ID Number** to indicate you when making “**direct call**” to other radios within your group. To set your **Caller ID Number** within the current **channel**, **Group Code** and **ID number** press the **MENU** button while in Group Mode 5 times, and then press the ▼/▲ buttons to select “**1 ~ 9**” on each digit. To move to another digit press the **MON/SCAN** button. To confirm the selection, press the **PTT** button or press **MENU** button again to move to the next feature setting.

SETTING THE RING TONE

Your GXT800/808/850 has 5 selectable Ring Tone. Your selected ring tone will be played back when receiving a “direct call” from another person of the same Group Code and ID Number. To select a **Ring Tone** for the current Group Code and ID Number press the **MENU** button until an “*rt*” appears on the display, and then the ▼/▲ buttons to make the selection. To confirm the selection, press the **PTT** button or press **MENU** button again to move to the next feature setting

MAKING A DIRECT CALL

Your GXT800/808/850 Series has a “*direct call*” function which enables you to call another person without alerting the other people within the group.

In order to make a direct call to another radio while in Group Mode, both must have the same channel, Group Code, and ID Number.

To make a “*direct call*” press the **CALL** button while in Group Mode, an “*AL*” will appear on the display. Press the ▼/▲ buttons to select the **ID Number** of the radio that you will call. Press again the **CALL** button to send the direct call. Only the radio with the same **ID Number** will receive the call.

You can also send a “*direct call*” to all the radio within the group. Press the **CALL** button while in Group Mode, an “*AL*” will appear on the display. Press again the **CALL** button to send the direct call and all the radio within the group will receive the call.

USING THE RADIO IN STANDARD MODE

You can set your GXT800/808/850 Series to Standard Mode to communicate with radios which do not have the Group Mode feature.

SETTING THE RADIO TO STANDARD MODE


To turn the **STANDARD MODE** on, press the **MENU** button until the display shows “**Gr**” blinking, while an “**on**” appears on the right of the display. Select “**of**” by pressing the ▼/▲ buttons and press the **PTT** button to confirm or press **MENU** button again to move to the next feature setting.

When the radio is in **STANDARD MODE** the **Group Mode** icon will disappear on the display.


SETTING PRIVACY CODES

When the **GROUP Mode** is turned off, you can use the normal Privacy Codes which is common to other radios which are not set to Group Mode. Your GXT800/808/850 Series has 142 **Privacy Codes** available. The selected **Privacy Code** may be different for each channel. To select a **Privacy Code** for the current channel press the **MENU** button twice, and then the ▼/▲ buttons to select between “**Off/CTCSS/DCS**”. Press again the **MENU** button and the ▼/▲ button to select one of the 38 **CTCSS Codes** or one of the 104 **DCS Codes**.

The **Privacy Code** icon on the display will indicate whether you set your Privacy Code in **CTCSS** or **DCS** mode. To confirm the selection, press the **PTT** button or press **MENU** button again to move to the next feature setting.

 **Note** : If you select any **CTCSS** Privacy Code, any pre-selected **DCS** Privacy Code will be cancelled and vice-versa. Selecting a Privacy Code of “**oF**” will disable the Privacy feature. To communicate between two GXT800/808/850 Series radios, all radios in your group must be set to the same channel and Privacy Code selections.

TRANSMIT (TX) POWER LEVEL SELECTION

Your GXT800/808/850 Series has 3 power level settings. To select the power level on channels 1~7 and 15~22, press the **MENU** button until a “**Pr**” icon will appear blinking on the display. Then press the ▼/▲ buttons to select **TRANSMIT POWER LEVEL** icon (**H**: Hi/ **M**: Mid/**L**: Lo). To confirm, press the **PTT** button or press **MENU** button again to move to the next feature setting. **When the Battery Meter drops to 1 bar , the TX Power will automatically switch from Hi(H) or Med(M) to Lo(L) level.**



Note : You cannot adjust the power setting on the FRS channels (8~14). They are set to Low power per FCC regulations.

VOX (Hands-free Transmission)

Your radio has 9 VOX level settings: (**oF/1~9**).

To set **VOX**, press the **MENU** button until the display shows “**VOX**” blinking while on the right of the **CHANNEL NUMBER** display, an “**oF**” icon appears. Select “**1~9**” by pressing the ▼/▲ buttons and push the **PTT** key, or press **MENU** button again to move to the next feature setting.

VOX will be more sensitive on the “**1**” setting than on the “**9**” setting.

To turn **VOX** off, press the **MENU** button until the display shows “**VOX**” blinking while on the right of the **CHANNEL NUMBER** display, a “**1~9**” icon appears. Select “**oF**” by pressing the ▼/▲ buttons and push the **PTT** key, or press **MENU** button again to move to the next feature setting.

SILENT OPERATION

Your GXT800/808/850 Series has a **SILENT OPERATION** mode. In this mode, all “beeps” and “tones” are disabled.

To turn the **SILENT OPERATION** mode on, press the **MENU** button until the display shows an “**bP**” icon while on the right of the “**bP**” display, an “**on**” icon appears. Select “**of**” by pressing the ▼/▲ buttons and push the **PTT** key or **MENU** button.

To turn the **SILENT OPERATION** mode off, press the **MENU** button until the display shows an “**bP**” icon while on the right of the “**bP**” display, an “**oF**” icon appears. Select “**on**” by pressing the ▼/▲ buttons and push the **PTT** key or **MENU** button.

ROGER BEEP (end of transmission) TONE

When the **PTT** button is released, the radio will beep to confirm to other users that your transmission has finished.

To turn the **ROGER BEEP** tone on, press the **MENU** button until the display shows an “**rb**” icon while on the right of the “**rb**” display, an “**oF**” icon appears. Select “**on**” by pressing the ▼/▲ buttons and push the **PTT** key, or press **MENU** button to move to the next feature setting.

To turn the **ROGER BEEP** tone off, press the **MENU** button until the display shows an “**rb**” icon while on the right of the “**rb**” display, an “**on**” icon appears. Select “**oF**” by pressing the ▼/▲ buttons and push the **PTT** key, or press **MENU** button to move to the next feature setting.

CALL ALERT SELECTION

Your GXT800/808/850 Series has 5 selectable **CALL ALERTS** (10 for **GXT850**). To select, press the **MENU** button until a “**CA**” icon appears and to the right of the “**CA**” icon the current **CALL ALERT** setting is displayed. Then press the ▼/▲ buttons to make the **CALL ALERT** selections, the radio will emit a corresponding tone for each selection. To confirm, press the **PTT** button or press **MENU** button to move to the next feature setting.

Note : GXT850 has 5 additional “Animal Sound” CALL Alerts - Turkey, Duck, Crow, Cougar, Wolf.

VIBRATE ALERT

To turn the **VIBRATE ALERT** on, press the **MENU** button until the display will show the **VIBRATE-ALERT** icon blinking, while on the right of the **CHANNEL NUMBER**, an “**oF**” icon appears. Select “**on**” by pressing the **▼/▲** buttons and push the **PTT** button, or press **MENU** button. The **VIBRATE ALERT** icon will remain on the display.

To turn the **VIBRATE ALERT** off, press the **MENU** button until the display will show the **VIBRATE ALERT** icon blinking, while on the right of the **CHANNEL NUMBER**, an “**on**” icon appears. Select “**oF**” by pressing the **▼/▲** buttons and push the **PTT** button, or press **MENU** button. The **VIBRATE ALERT** icon will go off.

NOAA WEATHER RADIO

Your GXT800/808/850 Series has a **NOAA WEATHER RADIO** function, to enable user to receive weather reports from designated **NOAA** stations.

To turn the **NOAA WEATHER (WX) RADIO** on, press and hold the **MENU** button for 3 seconds. The current **WX CHANNEL** and **WX BAND** icon will appear on the display. Press the **MENU** button and the **▼/▲** buttons to select one of the 10 **WX BAND** channels. To confirm, press the **PTT** button or **MENU** button.

To turn the **NOAA WEATHER RADIO** off, press and hold the **MENU** button for 3 seconds or press the **PTT** button. The current **GMRS/FRS** radio setting will be displayed and the **WX BAND** icon will go off.

NOAA WEATHER ALERT

Your GXT800/808/850 has a **NOAA WEATHER ALERT** function, to enable you to automatically receive weather alert from designated **NOAA** stations.

To turn the **NOAA WEATHER (WX) ALERT** on, press the **MENU** button twice while in **WX Band**. The display shows “**AL**”, while on the right an “**oF**” icon appears blinking. Select “**on**” by pressing the **▼/▲** buttons. To confirm, press the **PTT** button or press **MENU**. The radio will return to **WX BAND** and the **WX BAND** icon will continue blinking. If the radio receives a **WX ALERT** signal from a designated **NOAA** station while on **GMRS/FRS Radio** mode, the radio will beep for 10 seconds while an “**AL**” and “**In**” icon appear on the display, after which will automatically go to **WX BAND**.

If any button is pressed during beeping while on **GMRS/FRS Radio** mode, the radio will automatically go to **WX BAND**.

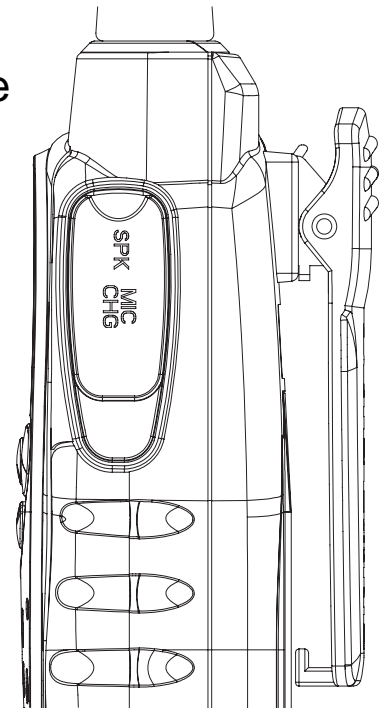
To turn the **NOAA WEATHER (WX) ALERT** off, press the **MENU** button twice while in **WX Band**. The display shows "**AL**", while on the right an "**on**" icon appears blinking. Select "**oF**" by pressing the ▼/▲ buttons. To confirm, press the **PTT** button or press **MENU**.

Note: *The RX icon blinks on briefly when the unit is listening for a NOAA WEATHER ALERT tone signal.*

EXTERNAL SPEAKER/MICROPHONE JACK

Your GXT800/808/850 Series can be used with an optional external speaker/microphone or headset, freeing your hands for other tasks. To use an optional speaker / microphone or headset:

- Insert the plug(s) into the **SPK/MIC** jacks
- Place the earbud into your ear, and adjust the mic into your desired position.



TROUBLESHOOTING GUIDE

PROBLEM

SOLUTION

No Power	- Check battery installation and/or replace batteries
Cannot Receive Messages	- Confirm the radios have the same channel and Privacy Code settings. - Make sure that you are within range of the other transceivers. - Buildings and other structures may interfere with your communication. (See <i>ABOUT RANGE</i> on Page 9)
Radio is not responding to button presses	- Make sure key lock is not on. See "Keypad Lock" (Page 11). - Radio might need to be reset. Turn radio off then on. - Ensure accessory microphone is set properly
Display is dim	- Recharge or replace batteries.
Charger not functioning	- Contacts on the back of the radio may require cleaning. - Ensure the outlet where the charger is plugged into is functioning properly. - Check that the battery pack is installed in the radio properly.

USE AND CARE

1. Use a soft damp cloth to clean the radio
2. **Do not** use alcohol or cleaning solutions to clean the radio.
3. **Do not** immerse the radio in water.
4. Dry the radio with dry lint-free cloth should it get wet.
5. Turn off the radio and remove the batteries during long-term storage.

If you have a problem which you believe requires service, please call first and speak with a service technician. Many problems can be remedied over the phone without returning the unit for service.

SPECIFICATIONS

Channels 22 GMRS/FRS Channels +142 Privacy Codes
10 NOAA Weather (WX) Band Channels

Operating Frequency UHF 462.5500 ~ 467.7125 MHz

Power Source 4 AA Alkaline or 6.0V Rechargeable Ni-MH battery pack

GMRS/FRS FREQUENCY CHART (MHz)

CH. No	CH. Freq.	CH. No	CH. Freq.	CH. No	CH. Freq.
1	462.5625	9	467.5875	17	462.6000
2	462.5875	10	467.6125	18	462.6250
3	462.6125	11	467.6375	19	462.6500
4	462.6375	12	467.6625	20	462.6750
5	462.6625	13	467.6875	21	462.7000
6	462.6875	14	467.7125	22	462.7250
7	462.7125	15	462.5500		
8	467.5625	16	462.5750		

* Channels 8~14 are low-power FRS license free channels

NOAA WEATHER (WX) RADIO FREQUENCY CHART (MHz)

CH. No	CH. Freq.	CH. No	CH. Freq.
1	162.550	6	162.500
2	162.400	7	162.525
3	162.475	8	161.650
4	162.425	9	161.775
5	162.450	10	163.275

* Channel 8,9 and 10 are designated Canadian Marine Frequencies

CTCSS PRIVACY CODES FREQUENCY CHART (Hz)

Code	Freq.	Code	Freq.	Code	Freq.	Code	Freq.	Code	Freq.
1	67.0	9	91.5	17	118.8	25	156.7	33	210.7
2	71.9	10	94.8	18	123.0	26	162.2	34	218.1
3	74.4	11	97.4	19	127.3	27	167.9	35	225.7
4	77.0	12	100.0	20	131.8	28	173.8	36	233.6
5	79.7	13	103.5	21	136.5	29	179.9	37	241.8
6	82.5	14	107.2	22	141.3	30	186.2	38	250.3
7	85.4	15	110.9	23	146.2	31	192.8		
8	88.5	16	114.8	24	151.4	32	203.5		

Note: Privacy codes can be programmed for use on any channel

DCS PRIVACY CODE CHART

No.	CODE	No.	CODE	No.	CODE
1	023	36	251	71	631
2	025	37	261	72	632
3	026	38	263	73	654
4	031	39	265	74	662
5	032	40	271	75	664
6	043	41	306	76	703
7	047	42	311	77	712
8	051	43	315	78	723
9	054	44	331	79	731
10	065	45	343	80	732
11	071	46	346	81	734
12	072	47	351	82	743
13	073	48	364	83	754
14	074	49	365	84	036
15	114	50	371	85	053
16	115	51	411	86	122
17	116	52	412	87	145
18	125	53	413	88	212
19	131	54	423	89	225
20	132	55	431	90	246
21	134	56	432	91	252
22	143	57	445	92	255
23	152	58	464	93	266
24	155	59	465	94	274
25	156	60	466	95	325
26	162	61	503	96	332
27	165	62	506	97	356
28	172	63	516	98	446
29	174	64	532	99	452
30	205	65	546	100	454
31	223	66	565	101	455
32	226	67	606	102	462
33	243	68	612	103	523
34	244	69	624	104	526
35	245	70	627	-	-

Note: Privacy codes can be programmed for use on any channel

LIMITED WARRANTY

Midland Radio Corporation will repair or replace, at its option without charge, any Midland FRS/GMRS transceiver which fails due to a defect in material or workmanship within Three Years following the initial consumer purchase. This warranty does not apply to water damage, battery leak or abuse.

Accessories have a 90 day warranty from date of purchase, including any antennas, chargers, or earphones. This warranty does not include the cost of labor for removal or re-installation of the product in a vehicle or other mounting. Performance of any obligation under this warranty may be obtained by returning the warranted product, prepaid freight, along with proof of purchase to:

**Midland Radio Corporation
Warranty Service Department
5900 Parretta Drive
Kansas City, MO 64120**

This warranty gives you specific legal rights, and you may also have other rights, which vary from state to state.

Note : The above warranty applies only to merchandise purchased in the United States of America or any of the territories or possessions thereof, or from a U.S. Military exchange.

**Midland Radio Corporation
5900 Parretta Drive
Kansas City, MO 64120
Tel: (816) 241-8500
E-mail: mail@midlandradio.com
URL: www.midlandradio.com**



**GMRS
RADIOS**



**MARINE
RADIOS**



**WEATHER
RADIOS**



**EMERGENCY CRANK
RADIOS**



**CITIZEN BAND
RADIOS**

**CHECK OUT THE OTHER GREAT MIDLAND PRODUCTS AT
www.midlandradio.com**

ACCESSORIES

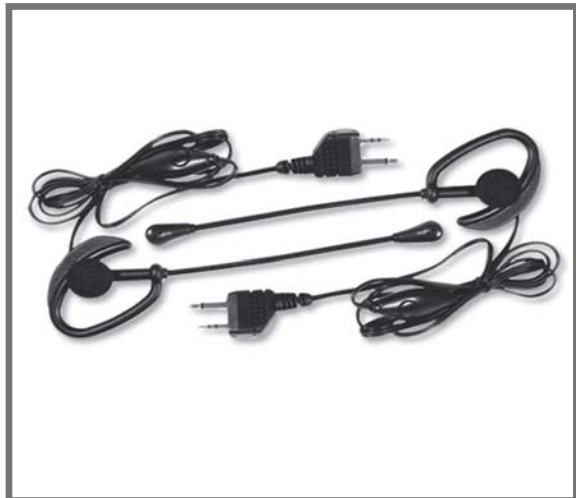
Accessories can be purchased at www.midlandradio.com or fill in the form on the following page and mail it to our address.

AVP-7



- 2 Rechargeable battery packs
- **\$19.99**

AVP-1



- 2 Over the Ear Mic. Headsets w/ PTT

- **\$19.99**

AVP-H1



- 1 Open Face Helmet Microphone Kit

- **\$49.99**

AVP-H2



- 1 Closed Face Helmet Microphone Kit

- **\$49.99**

AVP-H3



- 2 Surveillance Headset
- **\$39.99**

AVP-H4



- 2 Ear Wrap Headset
- **\$39.99**

AVP-H5



- 2 Behind the Head Headset
- **\$39.99**





ACCESSORIES ORDER FORM

Please send Money Order or fill in Visa/MasterCard information and mail to the address below. Please **DO NOT** send cash or checks. Make Money Order to Midland Radio Corporation.

Name: _____

Address: _____

City: _____ **State** _____ **Zip Code** _____

Tel: _____ **email:** _____

CC# _____ **Type:** _____ **Exp.** _____

Qty	Item	Price	Total
	AVP-7	\$19.99	
	AVP-1	\$19.99	
	AVP-H1	\$49.99	
	AVP-H2	\$49.99	
	AVP-H3	\$39.99	
	AVP-H4	\$39.99	
	AVP-H5	\$39.99	

Mail To:
 Midland Radio Corporation
 Consumer Dept.
 5900 Parretta Drive
 Kansas City, MO 64120

 Or Call 816.241.8500.

 To order online go to
www.midlandradio.com

Sub-Total _____

Tax (MO, CO, IL, FL only) _____

S & H _____ \$14.95

(Applies to Domestic U.S. only.
 For Hawaii, Alaska, and Puerto Rico S&H will be \$36.25 for 1lb and \$64.25 for 2lbs or more).

Total \$ _____

MIDLAND RADIO CORPORATION

**5900 Parretta Drive
Kansas City, MO 64120
Call 816.241.8500**

visit us at <http://www.midlandradio.com>

Note: Features & Specifications are subject to change without notice. MIDLAND is not responsible for unintentional errors or omissions on its packaging.